



# Automatic Oil Draw-off Device DN50 (Skimmer)

for

- ecoLine-a
- ecoLine-b
- XL Panel

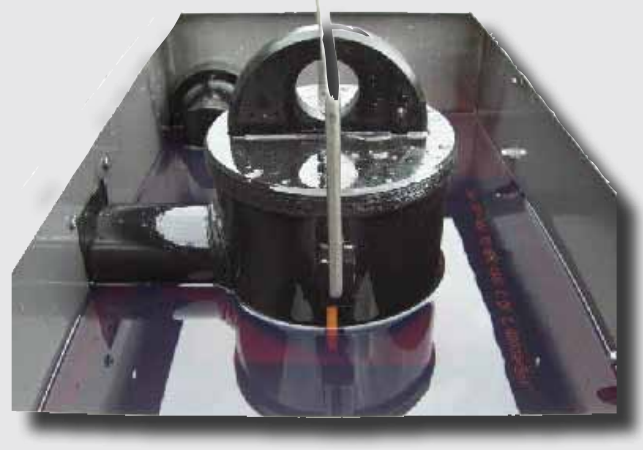
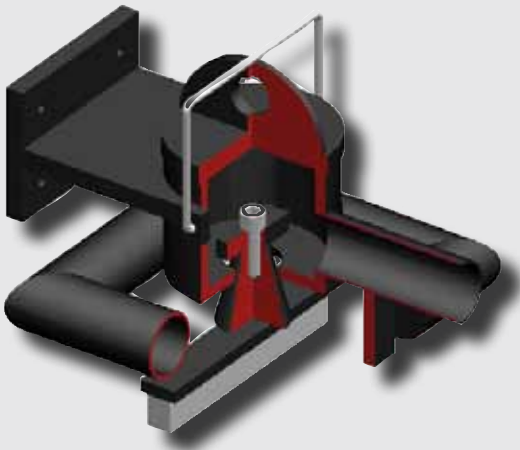
Oil/Water Separators

**Water Treatment for the World**

200 S Biscayne Blvd, Suite 4310, Miami, Florida 33131, USA  
Phone.: +1 (305) 372-1104 Fax: +1 (305) 328-9312  
e-mail [info@freytech.com](mailto:info@freytech.com), <http://www.freytech.com>

**FREYTECH** INC.

# ADD DN50



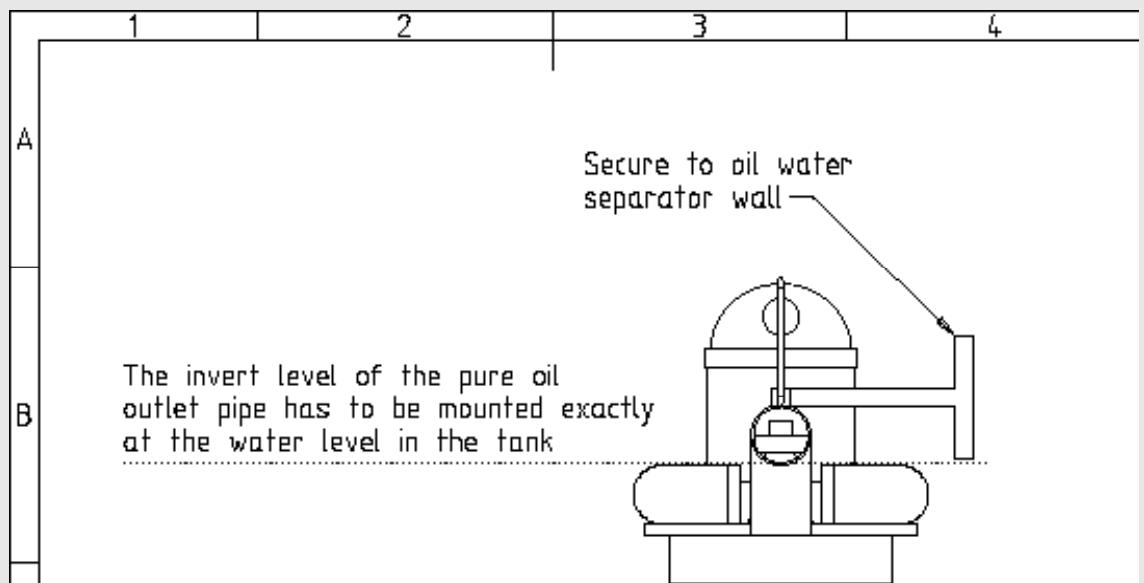
The patented "Automatic Oil Draw off Device" ("ADD") marks a very important development in oil water separator skimmer technology. The ADD automatically and mechanically extracts the refined oil any Freytech or third party separator has separated and drains it to a separate container providing pure separated oil which is 99.7 % free of water. The need for septic truck service is thereby greatly reduced providing the operator with substantial cost savings and it also provides a valuable commodity for resale - pure recycled separated oil containing only 0.3 % water.

**Costly disposal of large quantities of oil and water mixtures is eliminated.**

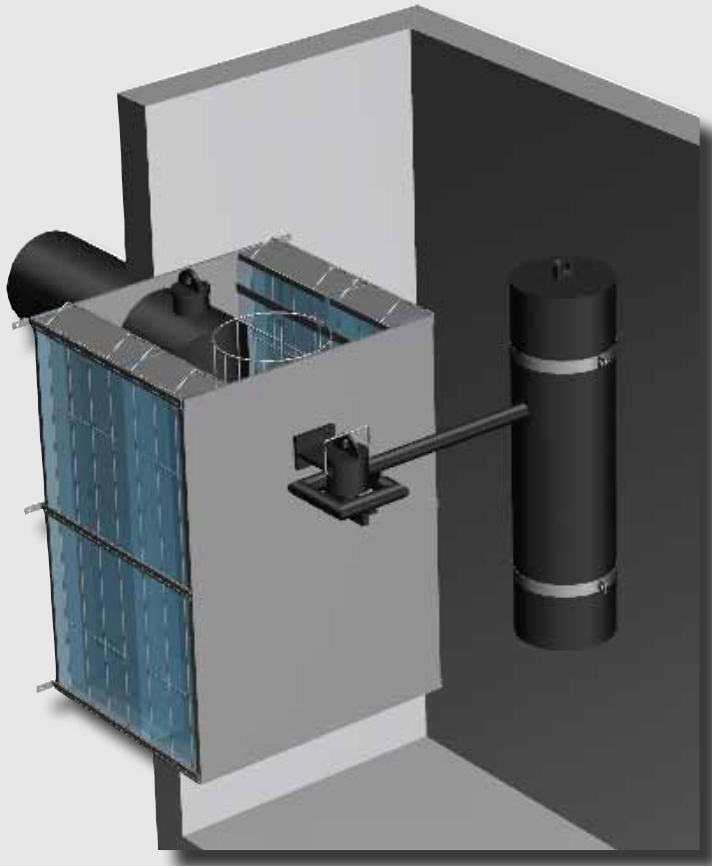
## Applications

### **Retrofit**

The ADD DN50 is a stand-alone unit which can easily be retrofitted in existing oil/water separation systems.



***In combination with below ground Oil/Water Separators***

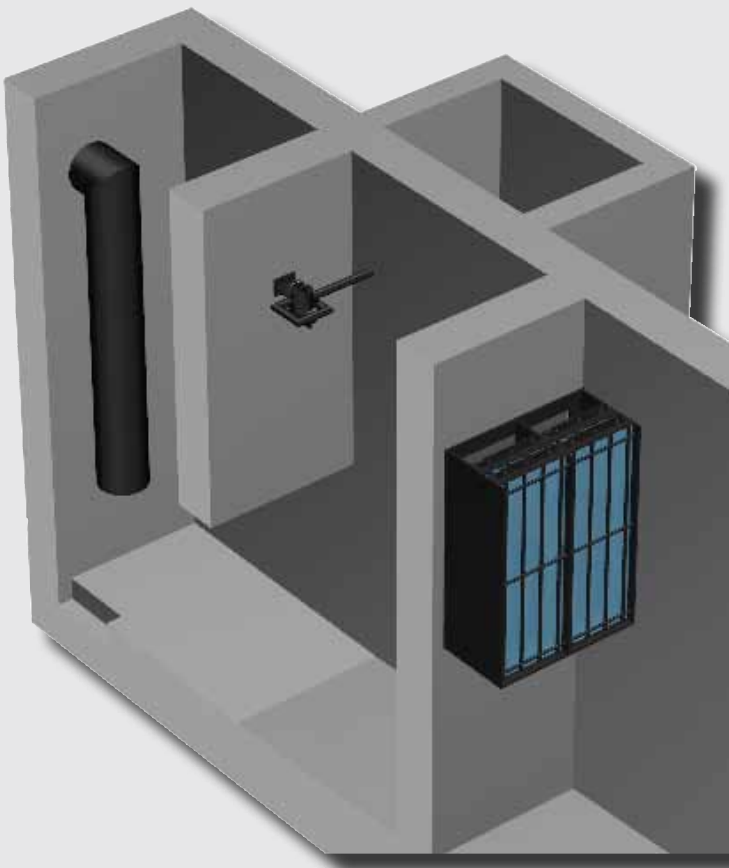


***ecoLine-b***

The ADD can be secured directly to the separator itself or anywhere else inside the tank.

**The collected oil is free of any water (99.7% pure).**

For additional information about the Automatic Oil Draw-off Device, please refer to our O&M manual.



***XL Panel***

The ADD can be secured anywhere inside the tank.

**The collected oil is free of any water (99.7% pure).**

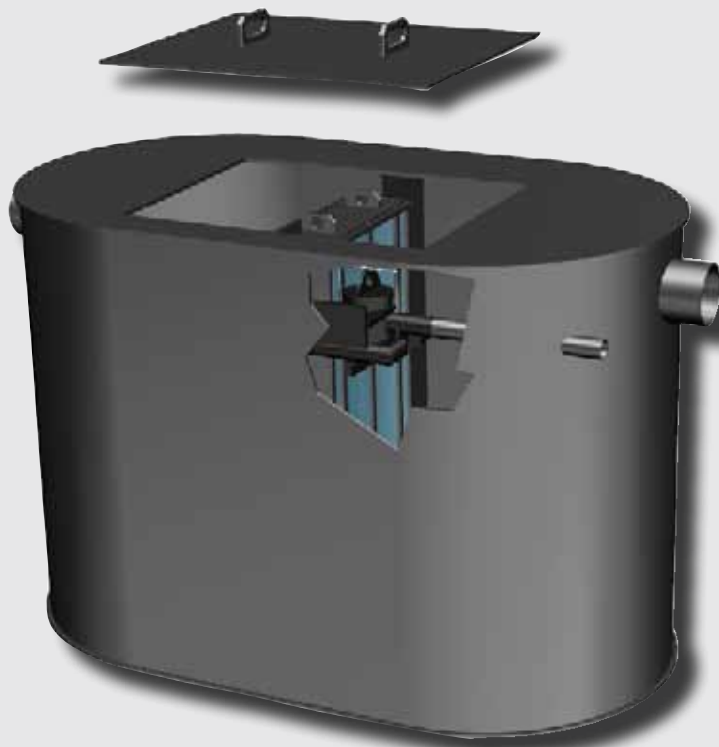
For additional information about the Automatic Oil Draw-off Device, please refer to our O&M manual.

**Water Treatment for the World**

200 S Biscayne Blvd, Suite 4310, Miami, Florida 33131, USA  
Phone.: +1 (305) 372-1104 Fax: +1 (305) 328-9312  
e-mail info@freytech.com, <http://www.freytech.com>

***FREYTECH*** INC.

***In combination with above ground Oil/Water Separators***



***ecoLine-a***

The ecoLine Oil/Water Separators can be ordered with the optional Automatic Oil Draw-off Device (ADD). It mechanically removes accumulated light liquids 24/7 from the water surface and stores them in an external oil recipient or oil drum.

**The collected oil is free of any water (99.7% pure).**

For additional information about the Automatic Oil Draw-off Device, please refer to our O&M manual.



**Water Treatment for the World**

200 S Biscayne Blvd, Suite 4310, Miami, Florida 33131, USA  
Phone.: +1 (305) 372-1104 Fax: +1 (305) 328-9312  
e-mail [info@freytech.com](mailto:info@freytech.com), <http://www.freytech.com>

**FREYTECH INC.**